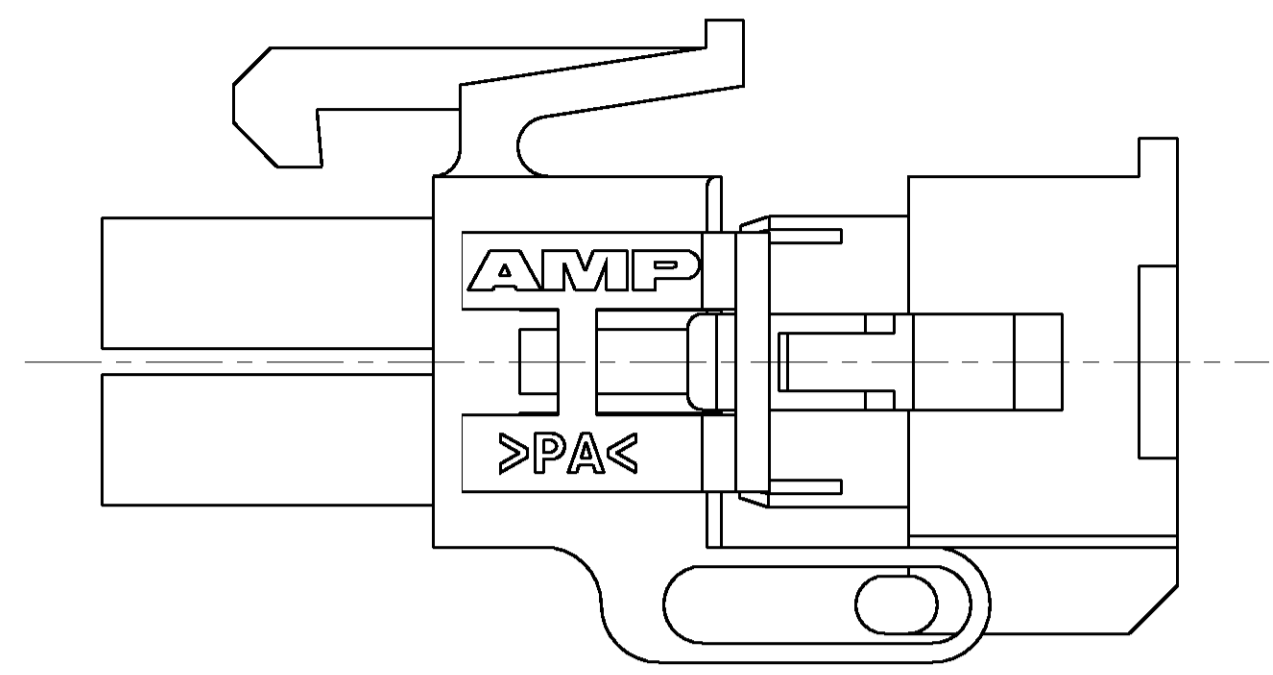
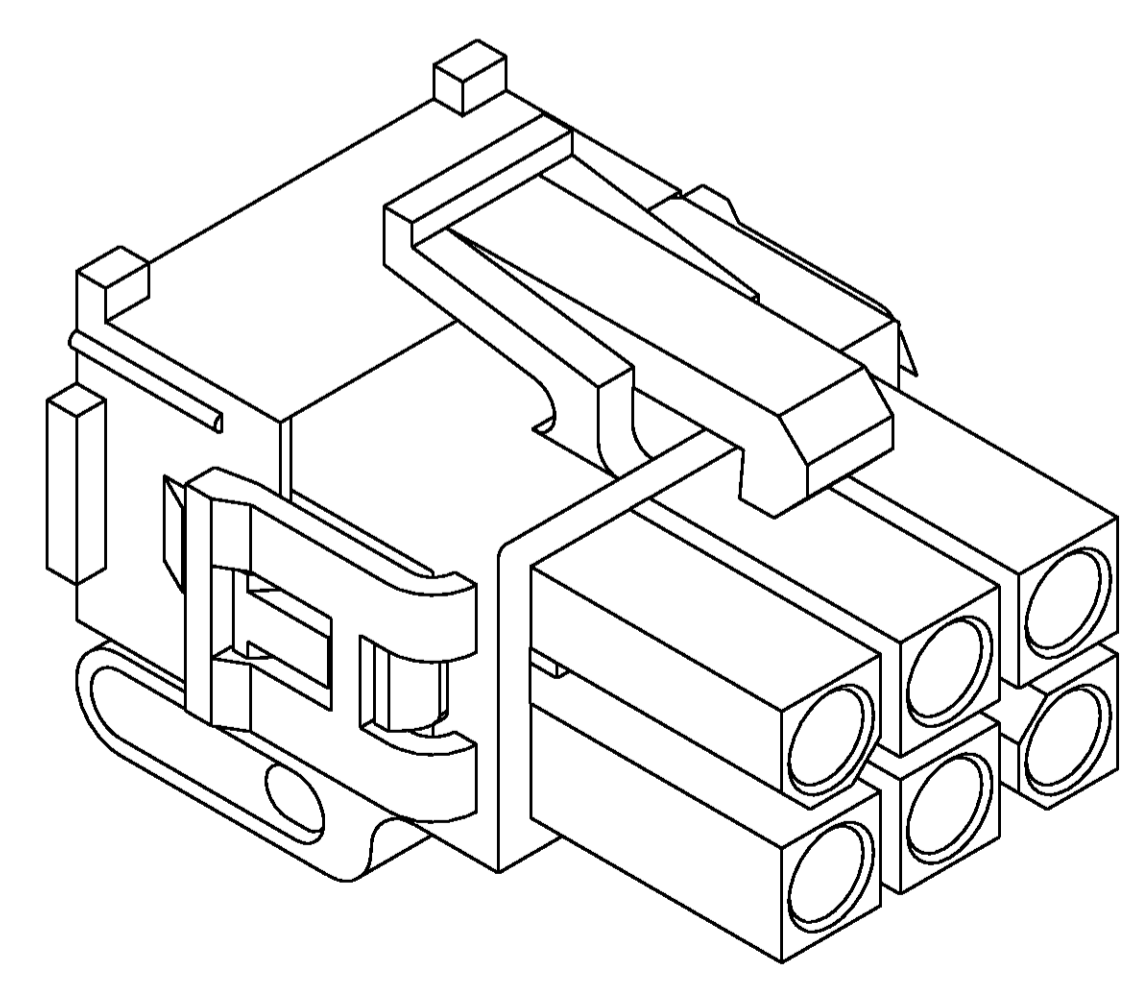
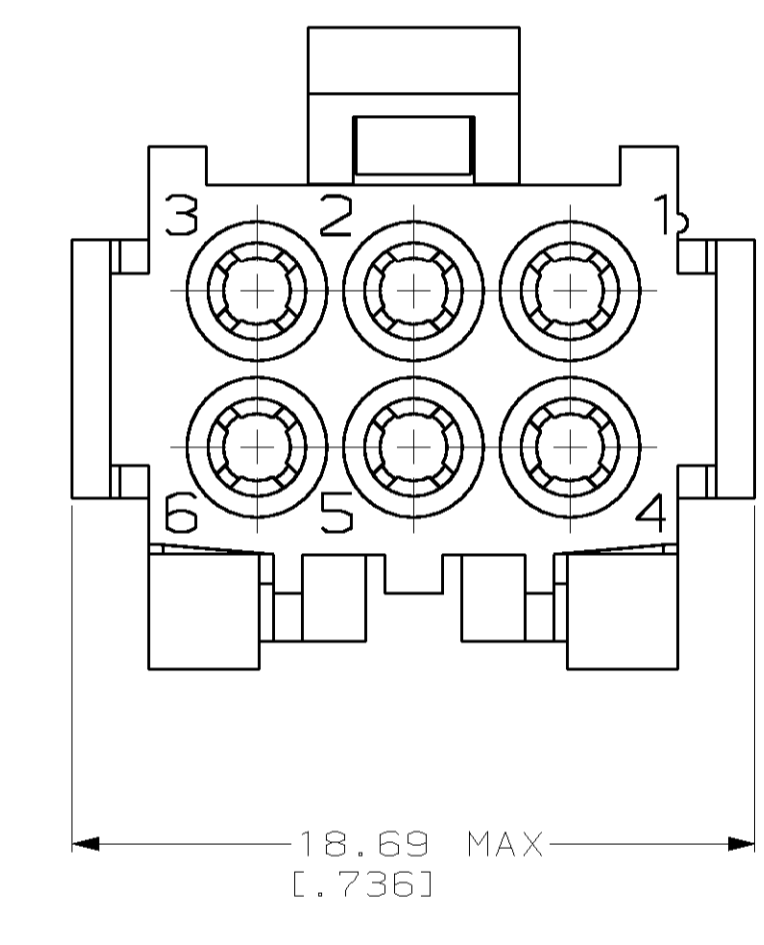
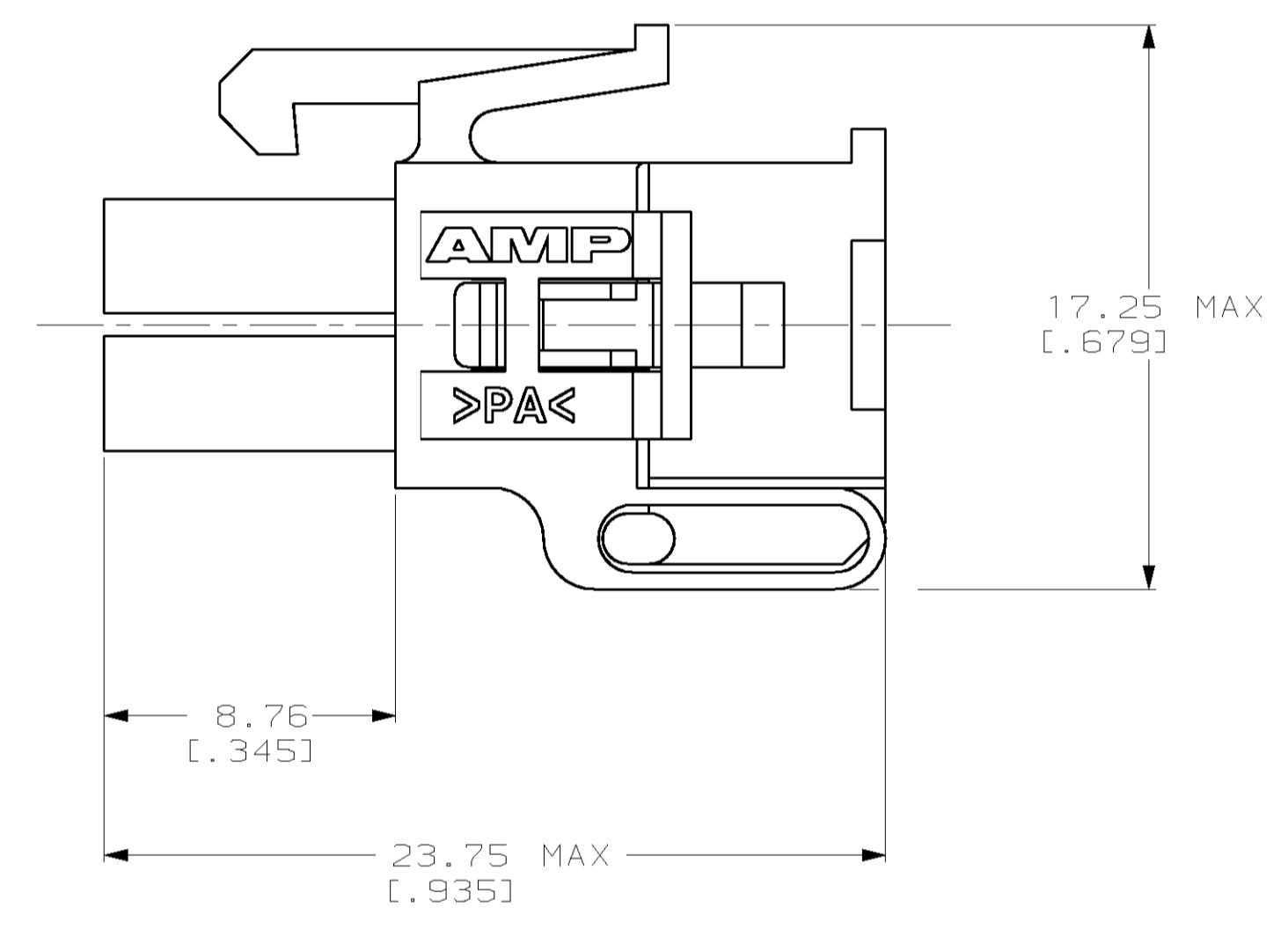
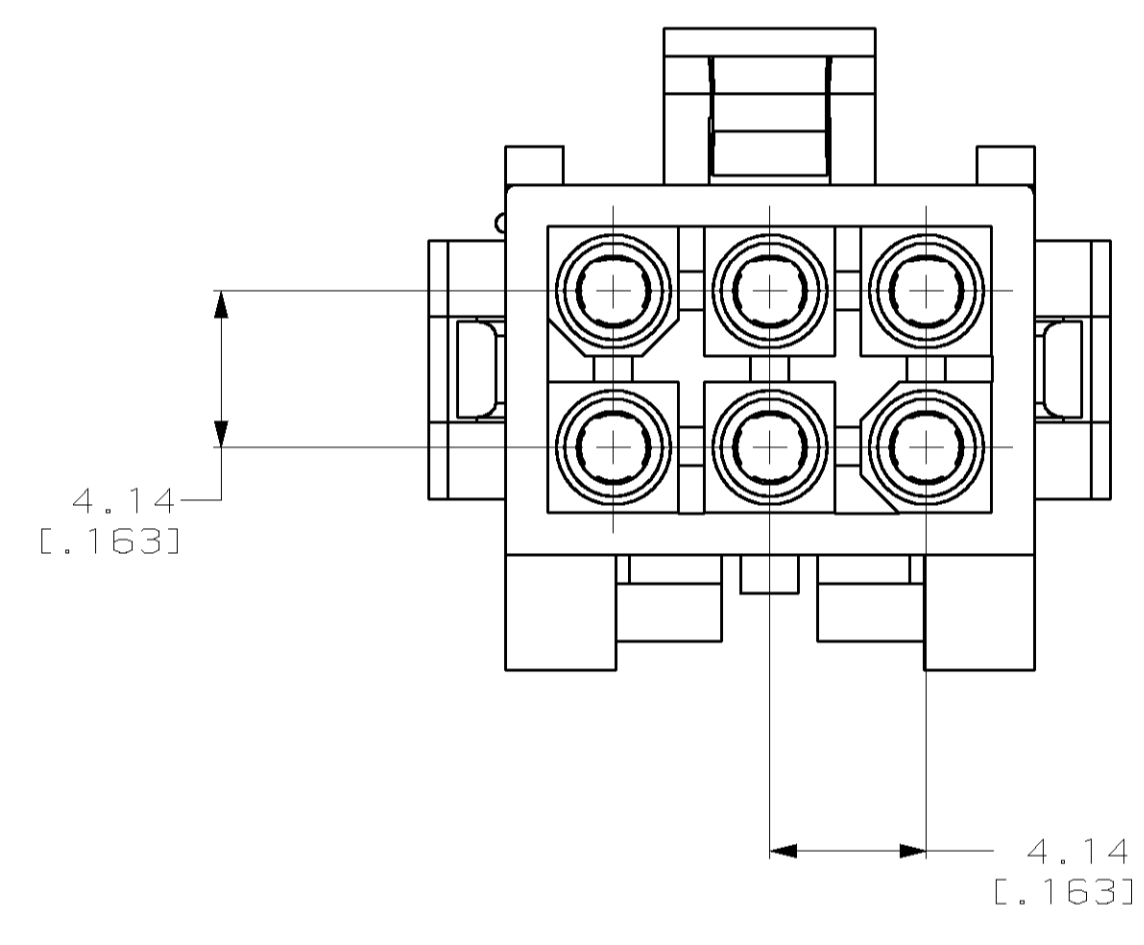


| LOC | | DIST | | REVISIONS | | | |
|-----|-----|-----------|------------|--------------|------|----|----|
| F | CHR | DATE | BY | CHK | APVD | | |
| B | | 23-SEP-99 | REV PER EC | 061B-0094-99 | | KW | KC |



PRE-STAGED CONDITION

1. DIMENSIONS IN BRACKETS ARE IN INCHES.



3-DIMENSIONAL MODEL
NTS

794190-1
PART NUMBER

METRIC

| | | | | |
|--|--|--------------------|----------|---|
| THIS DRAWING IS A CONTROLLED DOCUMENT. | | DWN K. WHITAKER | 5-12-97 | AMP AMP Incorporated Harrisburg, PA 17105-3608 |
| | | CHK R. SWING | 5-12-97 | |
| DIMENSIONS: | | APVD R. ORSTAD | 5-12-97 | NAME PLUG, 6 CIRCUIT, MINI UNIVERSAL MATE-N-LOK™ 2 |
| TOLERANCES UNLESS OTHERWISE SPECIFIED: | | PRODUCT SPEC | | APPLICATION SPEC |
| mm | | 0 PLC ± | | 1 PLC ± |
| | | 2 PLC ± | | 3 PLC ±0.13 (.005) |
| | | 4 PLC ± | | ANGLES ± |
| FINISH | | WEIGHT | | RESTRICTED TO |
| MATERIAL NYLON, UL 94V-0, NATURAL | | CAGE CODE | A1 00779 | DRAWING NO C-794190 |
| CUSTOMER DRAWING | | SCALE | 5:1 | SHEET 1 OF 1 |